

PROJECT NAME: _____

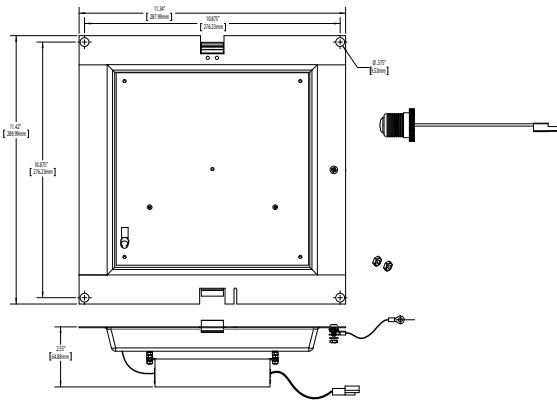
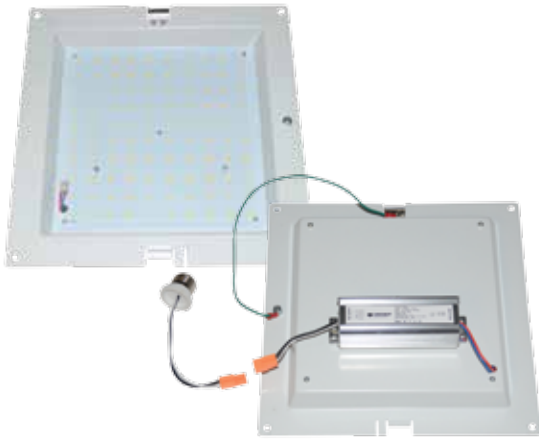
LOCATION: _____

SPECIFIER ITEM NO. _____ **QTY:** _____

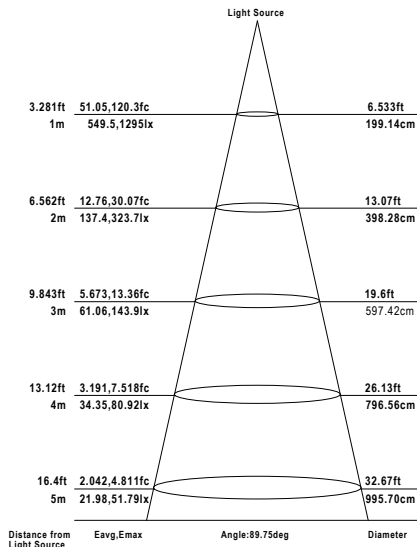
COMPONENT HARDWARE PART NO. _____

Component Hardware® LED Retrofit Light -
 May Be Installed in L87 Luminaire Models
 For Exhaust Canopy Hoods

LED-L87-1030W



Dimensions shown in inches (mm) are for reference only and are subject to change.



Low profile, high output, energy efficient LED lights

Approved for use in totally enclosed luminaires

Specifically designed for retrofit in commercial cooking hoods utilizing L87 fixtures

- Listed for up to 75°C (167°F) operation
- 3270 lumens output
- Color Rendering Index > 80
- Meets all requirements of NFPA 96 and NEC 410
- NSF Listed, RoHS Compliant

Environmentally friendly, energy efficient

- HACCP Compliant – LED lighting runs cooler than old incandescent and fluorescent fixtures, helping you to better control food temperatures in your refrigerators/coolers/freezers. In addition, LED lights do not contain harmful mercury, like fluorescent fixtures, eliminating a potential chemical hazard in your workplace.
- Contributes to LEED® energy use reduction credits
- 50,000 hour lamp life

Bright, focused light

- Highest light output per watt (109 lumens/watt) available - Exceeds Federal Energy Act requirements
- Instant on, no ballast to warm up
- No ultraviolet rays: Does not attract insects

Low profile

- Minimum lamp compartment for enclosure of the retrofit light: 29.5 cm (L) x 29.5 cm (W) x 14 cm (H)
- Only 6" high for limited clearance applications, when fitted inside L87 recessed canopy hood light fixture

Power Efficient Driver

- Input power consumption: 30w
- Current: 0.25A @ 120VAC
- Output power to retrofit light: 29W

Specifications

Model	Color Temperature	Lumens/Watts	Kelvins	Total Light Output
LED-L87-1030W	Warm	109	3000	3270 Lumens

Note: Other color temperatures upon request.

Do not use with dimmers.

Retrofit light - Dry/damp locations, no direct exposure to water.

Power = 30 W
 Voltage = 100-277 VAC
 Current = 0.30-0.11 Amp.
 Frequency = 50/60 Hz

Warranty - 5 year

